

LANCER®

ICD 23300 High Performance Drop-In Dispenser



ICD 23300
8-valve



ICD 23300
10-valve

The ICD 23300 is designed using the highest quality materials and state-of-the-art technology providing our customers with consistent drink quality.

- Available with eight or 10 valves
- Stainless steel construction with sealed-in cold plate
- 3/4" drain with strainer to prevent ice blockage
- Stainless steel flooded soda manifold and multiple plain water configuration
- Ice bin insulated with CFC free structural foam
- Tower designed with removable splash plate and drip tray for easy cleaning
- Dispenser can accommodate any number of non-carbonated drinks
- Optional top merchandiser and back marquee feature lighted graphics for maximum impact
- Sliding bin lid with electric interlock
- Splash guards optional



ETL CERTIFIED TO UL STD 471 AND CAN/
CSA STD 22.2 NO. 120



ICD 23300 High Performance

OPTIONS

Marquee



Merchandiser

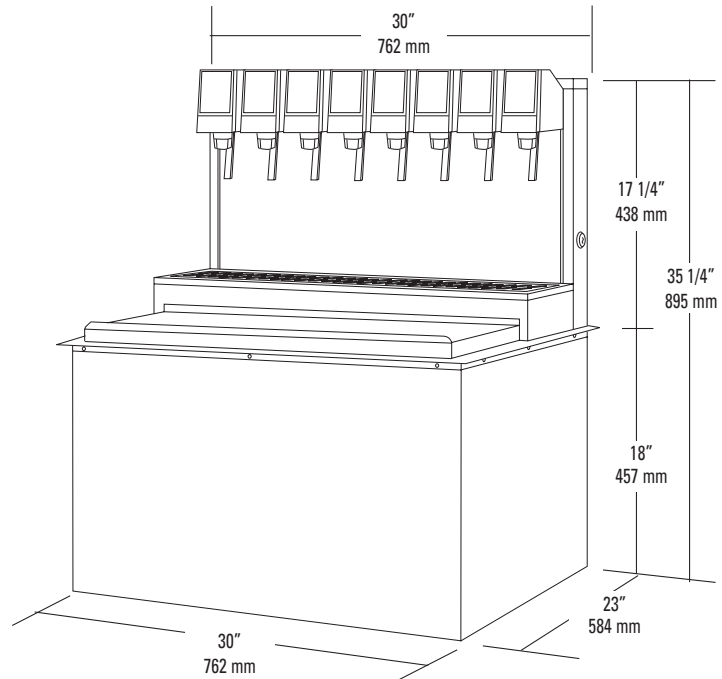


Splash Guards



Power Supply

SPECIFICATIONS



CONVERSION STAND 30" x 23"

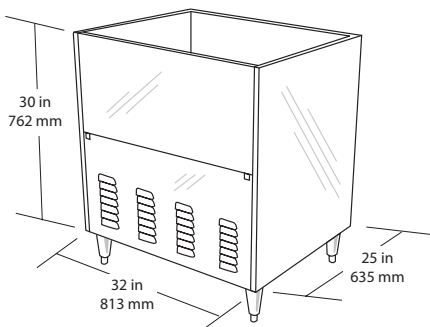
All stainless steel construction

Front access panel

6" (152 mm) adjustable legs

Allows quick and easy conversion from drop-in to free-standing unit

Shipping weight: 100lbs (45kg)



DIMENSIONS

Width: 30 in (762 mm)
Depth: 23 in (584 mm)
Height: 35.25 in (895 mm)

COUNTER CUT-OUT

Width: 30.25 in (768mm)
Deep: 23.25 in (591mm)

ELECTRICAL

24VAC/60Hz

WEIGHT

Operating: 370 lbs (168 kg)
Shipping: 300 lbs (136 kg)

ICE

Capacity: 130 lbs (59 kg)

FITTINGS

Soda inlets: 3/8" male barb
Syrup inlets: 3/8" male barb

VALVES

LEV® and other valves available upon request

FLEX MANIFOLD CONFIGURATION

8 valve 3-1-1-3
10 valve 3-1-2-1-3

KEY LOCK SWITCH

DRAW PERFORMANCE

Number of Drinks Below 40°F

75°F (24°C) Ambient Temperature

12 oz./15 drinks per minute
24 oz./7 drinks per minute

90°F (32°C) Ambient Temperature

12 oz./8 drinks per minute
24 oz./5 drinks per minute

Units can supply drinks under 40°F at rated draw performance continuously as long as ice is kept on cold plate.

Warranty: For warranty specifics by product, contact your Lancer Sales Representatives.

Equipment design and/or specifications may change without notice.

CORPORATE OFFICE 6655 Lancer Blvd - San Antonio, TX 78219
210-310-7000 - 1-800-729-1500 - FAX 210-310-7250 - www.lancercorp.com

"Lancer" is the registered trademark of Lancer Corporation © 2010 Lancer, all rights reserved.

ICD23300-HI-CC_SS 04/11